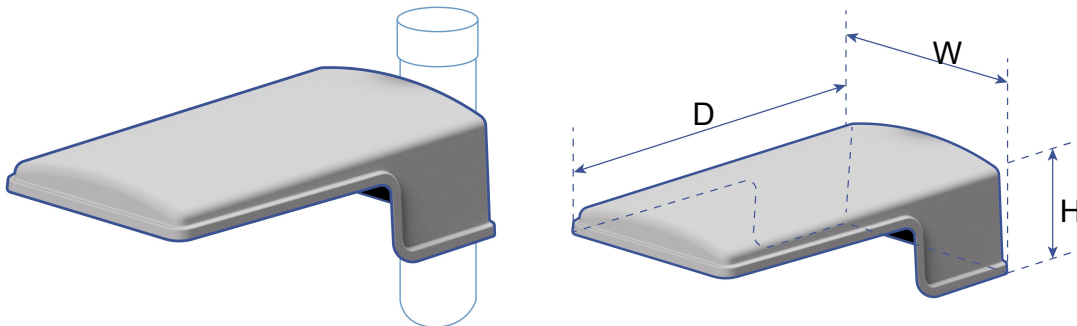




Data Sheet Canopy SD 22 / SD 22 GO

CE



1 Application

INTERTEC protective canopies are used as a simple protective cover for enclosures, equipment's and fittings. The canopies protects from direct solar radiation (overheating), pollution and weather conditions.

2 Description

The open-sided protective canopies are made of hot-pressed glass fiber reinforced polyester (GRP) and allow free access to the covered object from multiple sides. Due to the heat-insulating material, no heat is transmitted.

In areas where electrostatic charges must be avoided (i.e. hazardous areas), a special GO coating (see options) prevents the development of sparks.

The canopies are stackable and can be nested for storage and transport.

Data Sheet Canopy SD 22 / SD 22 GO

3 Technical Data

Name	Design	Unit
Height x Width x Depth	111 x 210 x 365	mm
Weight	1,2	kg
Standard color	Light gray	
Material	Glass fiber Reinforced Polyester (GRP)	
Continuous operating temperature	max. +145	°C
Flexural strength	160	MPa
Flexural E-Module	9.500	MPa
Impact strength	70	kJ/m ²
Resistance to mechanical impact	IK10	
Heat distortion temperature	>200	°C
Flame retardancy acc. to UL 94	V0	
UV resistance	Yes, according to DIN ISO 4892-2	
Sea-water resistance	Yes	

Material properties for GO (antistatic – for hazardous areas)

Surface resistance	10 ⁶	Ohm
Tracking resistance	CTI 300	

4 Options

Name	Design	Unit
Color	Other colors possible on request	
Hole drillings	Individual hole drillings according to the specified drilling pattern	
Types of fastening	With pipe mounting brackets on a 2" pipe stand	